

eGauge CT Specifications

Rev 1.1 - 08/2025

Model: ECSxx-yyy, ECTxx-yyy

The eGauge ECS and ECT series CTs are UL-listed split-core current transducers (CTs) designed for easy and safe installation. The ECS and ECT series feature 36 mm, 20 mm, and 9 mm openings and are designed for mounting on existing panels—such as control centers or load centers—to measure current. Thanks to the split-core design, all CTs in these series can be installed without removing or disconnecting existing conductors, making retrofitting simple and efficient.

Both series provide a 333 mV output, eliminating the need for shunting blocks. eGauge CTs are UL2808 certified and use CTid technology for auto-detection. An onboard LED makes it easy to identify which CT is connected to which sensor port—especially helpful when leads cannot be easily traced.



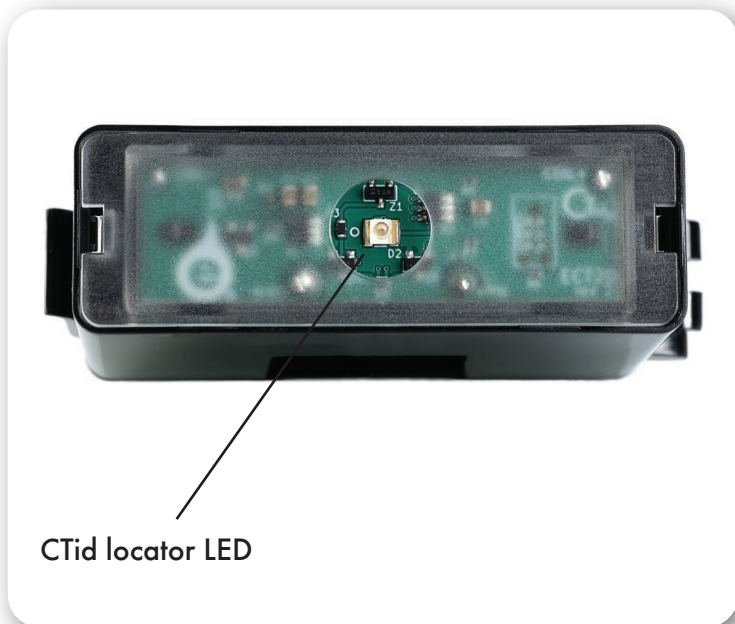
	ECS09	ECT20	ECS20	ECS36
Amperage Ratings	50 A, 80 A	100 A, 200 A	100 A, 200 A, 300 A	400 A, 600 A
Window Size	9 mm (0.35 in.)	20 mm (0.79 in.)	20 mm (0.79 in.)	36 mm (1.42 in.)
Accuracy	1% (ECxxx-yyy) or 0.5% (ECxxx-yyy-R)			
Frequency	50Hz or 60 Hz			
Wire Lead	2.4 m (8 ft.) black/white twisted wire, AWG18 (UL1015 600V)			
Overvoltage Category	250 V, CAT III	250 V, CAT IV 600 V, CAT III	600 V, CAT IV	
Dielectric Strength	7400 Vac / 1 minute			
Operating Temperature	-40 °C to 75 °C	-40 °C to 60 °C	-40 °C to 75 °C	-40 °C to 60 °C
Conditions	Indoor use, Pollution Degree 2, Altitude up to 3000 m			
Output	333 mVrms at rated amperage			
Certifications	UL listed (UL2808, XOBA file #E515923), RoHS, CE			
	UL61010-1, CAN/CSA STD C22.2 NO. 61010-1			
Warranty	5-year limited warranty			

For more information visit egauge.net/support/m/ecs



Additional Photos

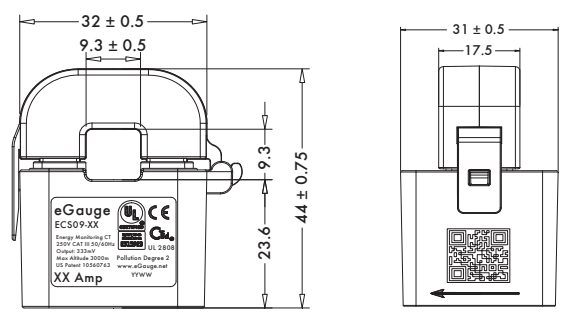
*Note: Images not to scale



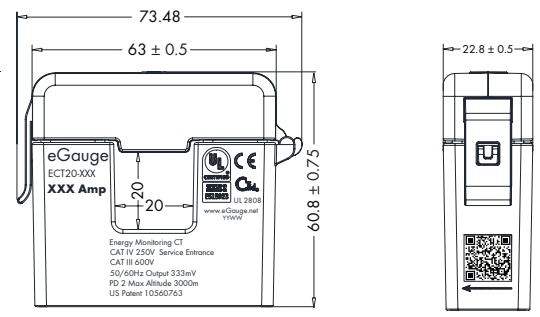
Dimensional Diagrams [mm]

*Note: Images not to scale

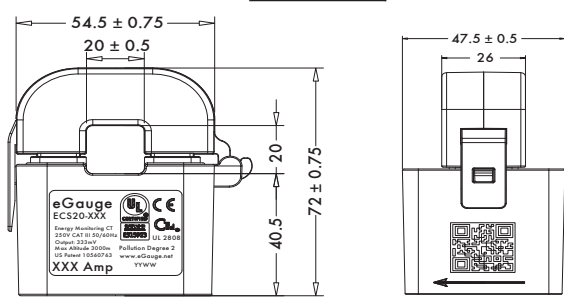
ECS09



ECT20



ECS20



ECS36

